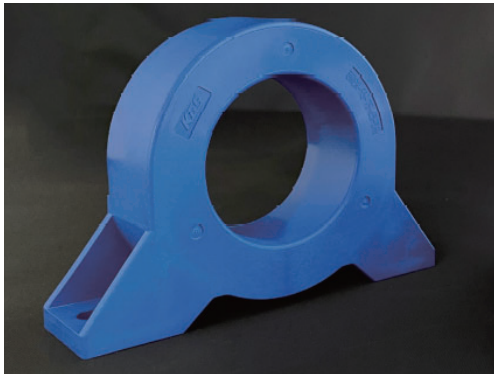


BROAD EFFECT CORE / BREK-55-75-25-SR



Amorphous alloy core with excellent magnetic saturation resistance

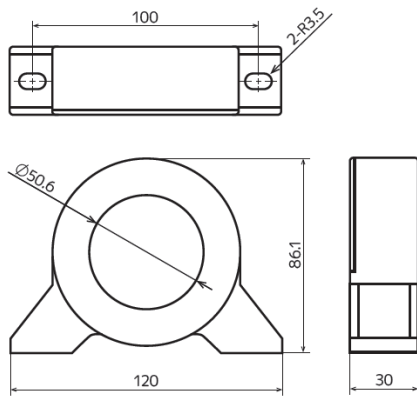


- Due to its excellent magnetic saturation resistance, the core is effective for EMC management when the common mode noise current is large.
- Provides high impedance characteristics over a wide range.
- Since the influence of temperature on the impedance characteristics is small, the performance is stable over a wide temperature range.
- Screw fixation enables excellent vibration resistance. (Equivalent to JIS C 6 0068-2-6)
- The resin case uses an UL94V-0 certified material.

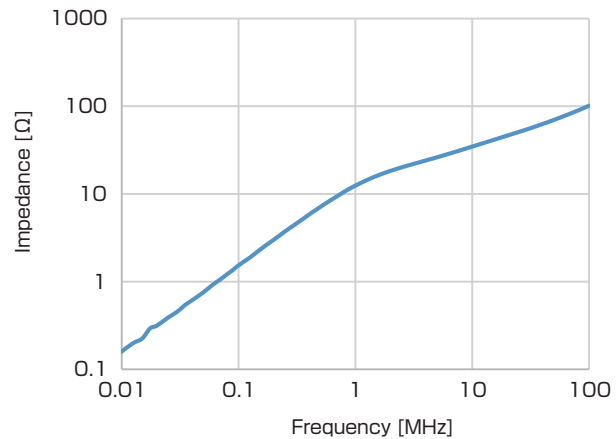
Applications

Suppression of conducted and radiated noise for the energy market, medical, and industrial equipment.

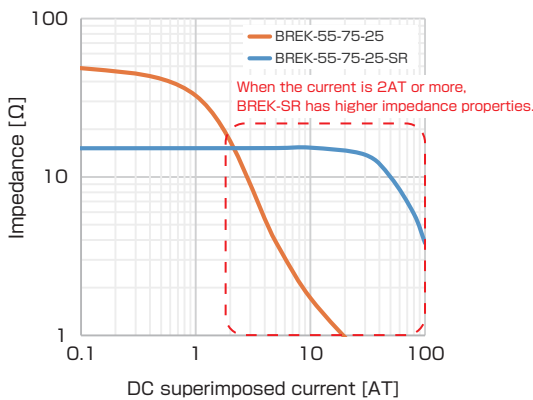
Dimensions (Unit: mm)



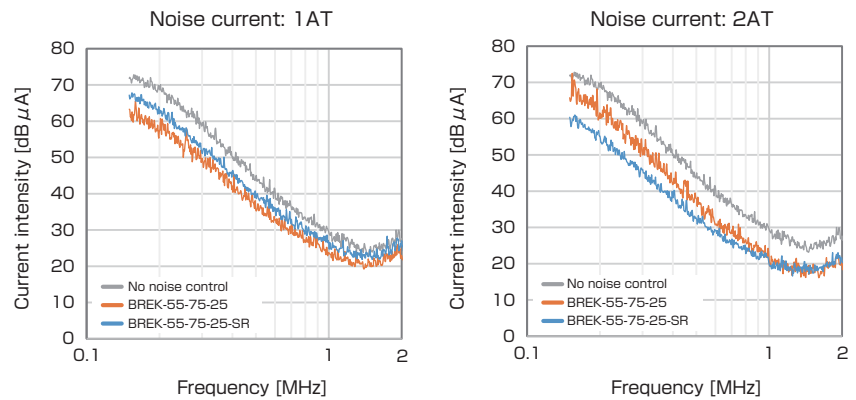
Comparison of impedance properties



Magnetic saturation properties (f=1 MHz)



Noise suppression effect



- The specifications are for reference only, and not a guarantee. Information may change without notice.
- Any reprinting or copying of content in this document is prohibited without our prior consent.